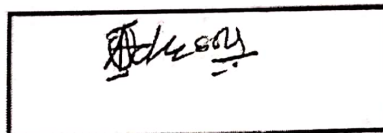




FACULTY OF ENGINEERING

DEPARTMENT OF CIVIL ENGINEERING
FIRST SEMESTER EXAMINATION (MARCH 2018)
2017/2018 ACADEMIC SESSION


HOD'S SIGNATURE

Instructions:

- 1) Attempt Questions 1 and Any Other Three
- 2) **Time Allowed: 3 hours**
- 3) **SEVERE PENALTIES APPLY FOR MISCONDUCT,
CHEATING, POSSESSION OF UNAUTHORIZED
MATERIALS DURING EXAMINATION**

Course Title: ENGINEERING DRAWING

Course Code: GNE 201



ELIZADE UNIVERSITY, ILARA-MOKIN
FACULTY OF ENGINEERING
DEPARTMENT OF CIVIL AND ENVIRONMENTAL ENGINEERING

COURSE CODE: GNE 201

SESSION/SEMESTER: 2017/ 2018 FIRST SEMESTER

COURSE TITLE: ENGINEERING DRAWING

LEVEL: 200L

TIME ALLOWED: 3 HOURS

INSTRUCTION: Attempt Questions 1 and Any Other Three

Question 1 (20 marks)

The Isometric block in Figure Q1 is to be drawn and projected, draw and project the block in line with the knowledge from the course. (20 marks)

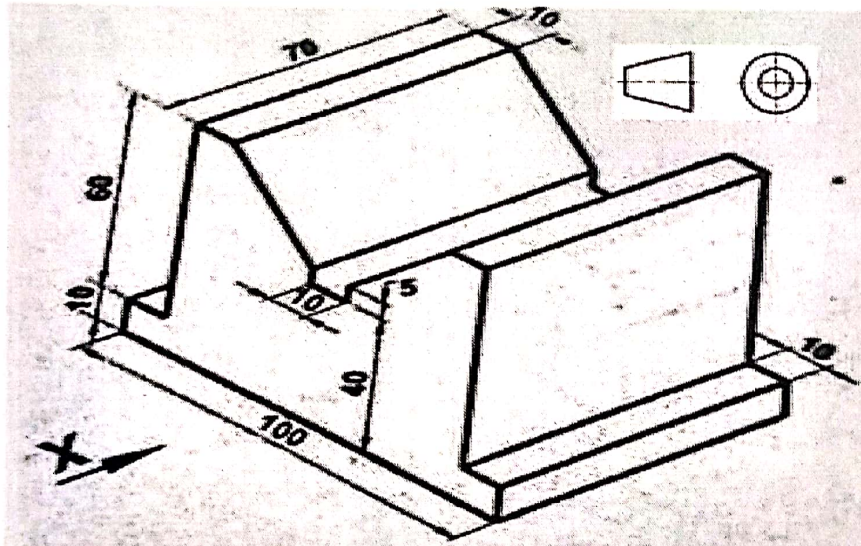


Figure Q1: Isometric of a block object

Question 2 (10 marks)

- Define orthographic projections itemizing the different types of views. (5 marks)
- List five differences between 1st and 3rd angle projections. (5 marks)

Question 3 (10 marks)

- Define Freehand sketching listing the four different forms of freehand sketching. (4 marks)
- List 3 advantages of 2D and 3D AutoCAD each. (6 marks)

Question 4 (10 marks)

- a) List 10 softwares used in engineering drawing. (5 marks)
- b) Explain the following:
 - (i) Wireframe models;
 - (ii) Surface models,
 - (iii) Solids models , and
 - (iv) Mesh Models (5 marks)

Question 5 (10 marks)

- a) List the advantages of freehand sketching in engineering drawing. (5 marks)
- b) Explain the following terms in relation to AutoCAD:
 - i. World Coordinate System (WCS),
 - ii. Mirror
 - iii. Scale
 - iv. Chamfer
 - v. Explode
 - vi. Extrude (5 marks)